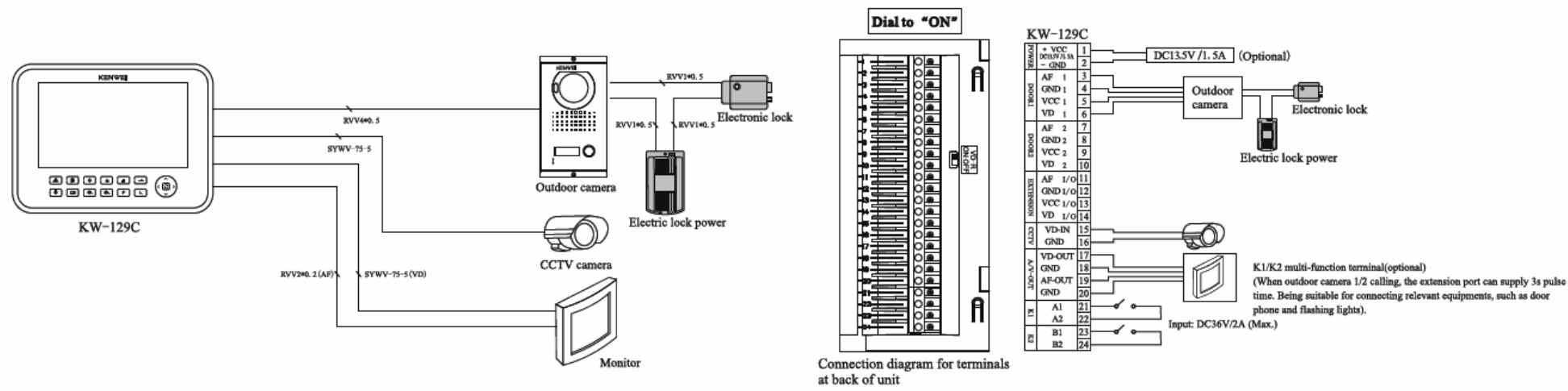
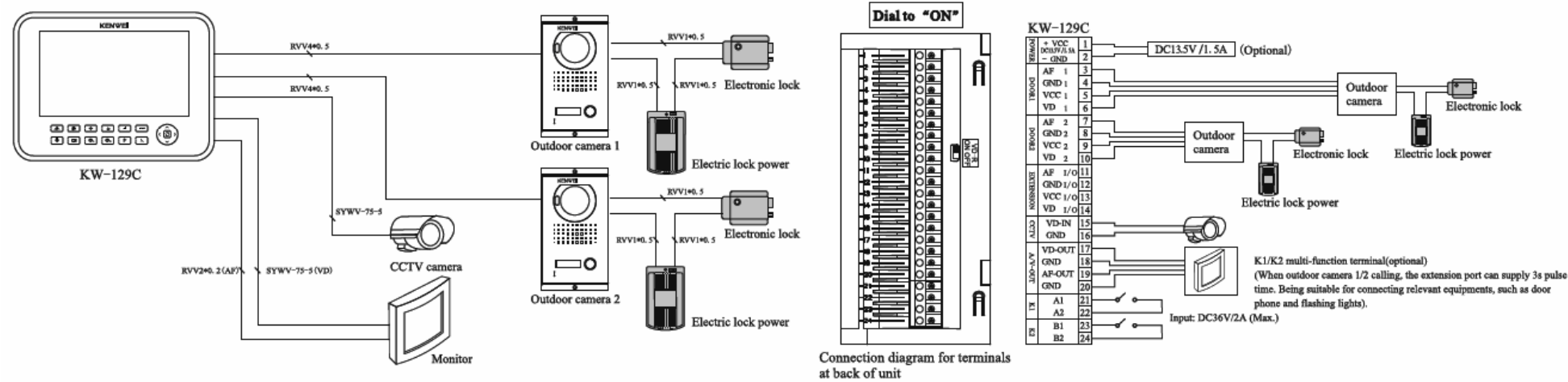


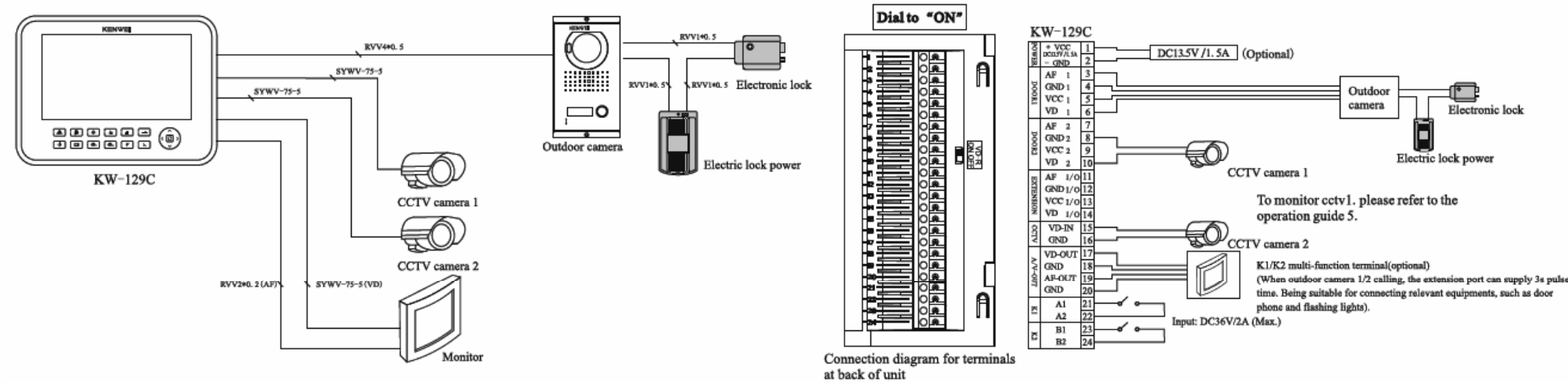
Connection diagram of indoor monitor and outdoor camera (1-1)



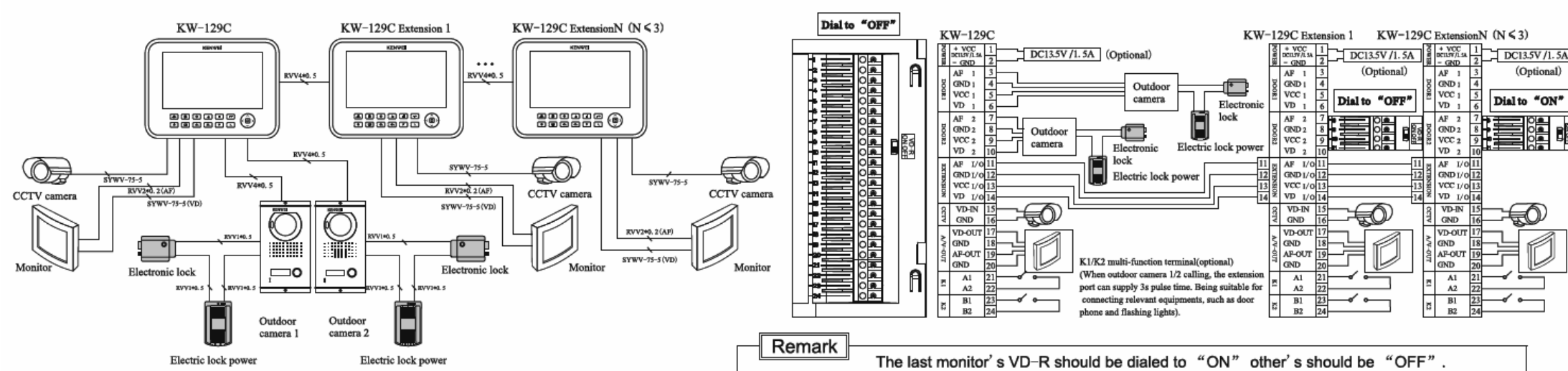
Connection diagram of indoor monitor and outdoor camera (1-2)



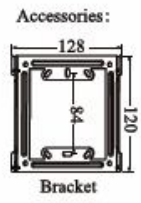
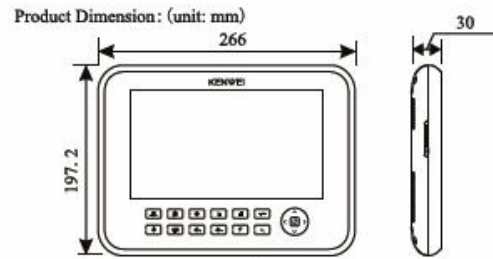
Connect to 1pc outdoor camera, 2pcs CCTV camera



Connection diagram of more units



Specifications and Accessories

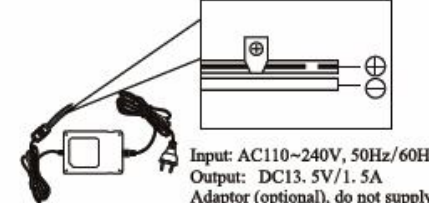


Accessories:
Bracket

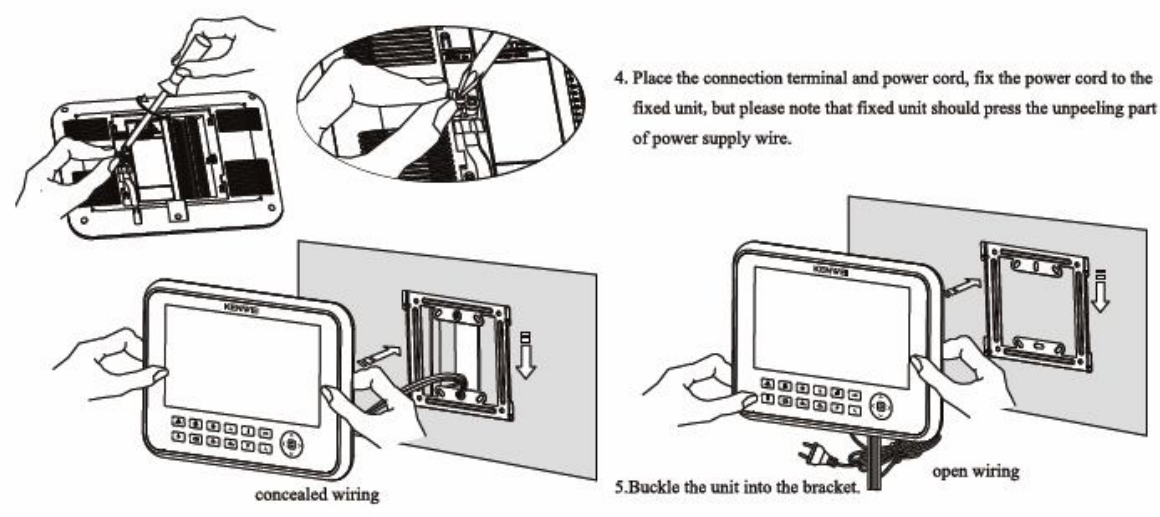
Mounting Screw: $\varnothing 4 \times 25\text{mm}$

Dilantant Plug

AC power cord

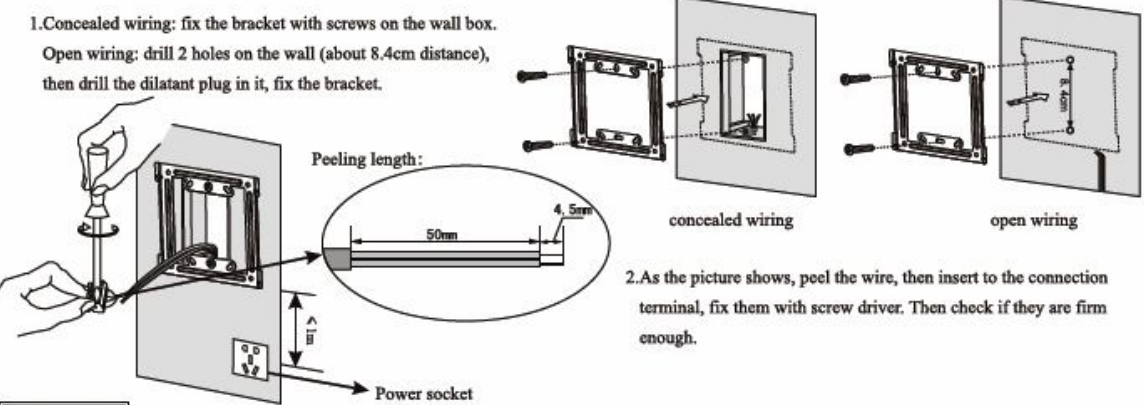


Input: AC110~240V, 50Hz/60Hz
Output: DC13.5V/1.5A
Adaptor (optional), do not supply if you choose AC power.

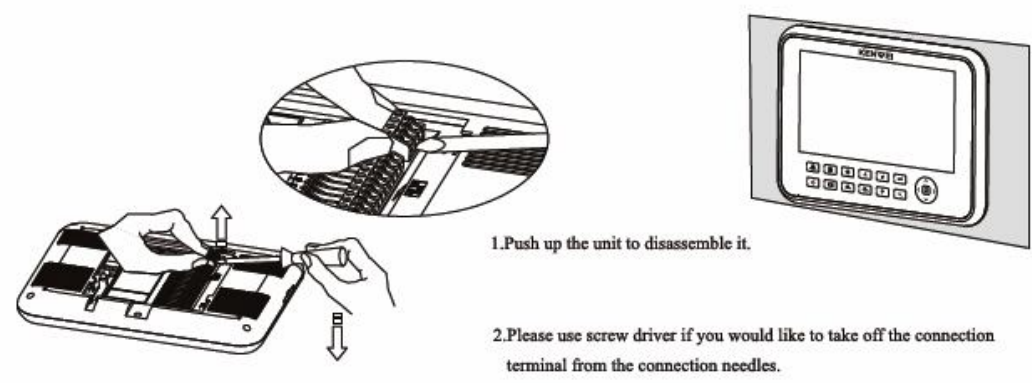


Disassembly

Installation

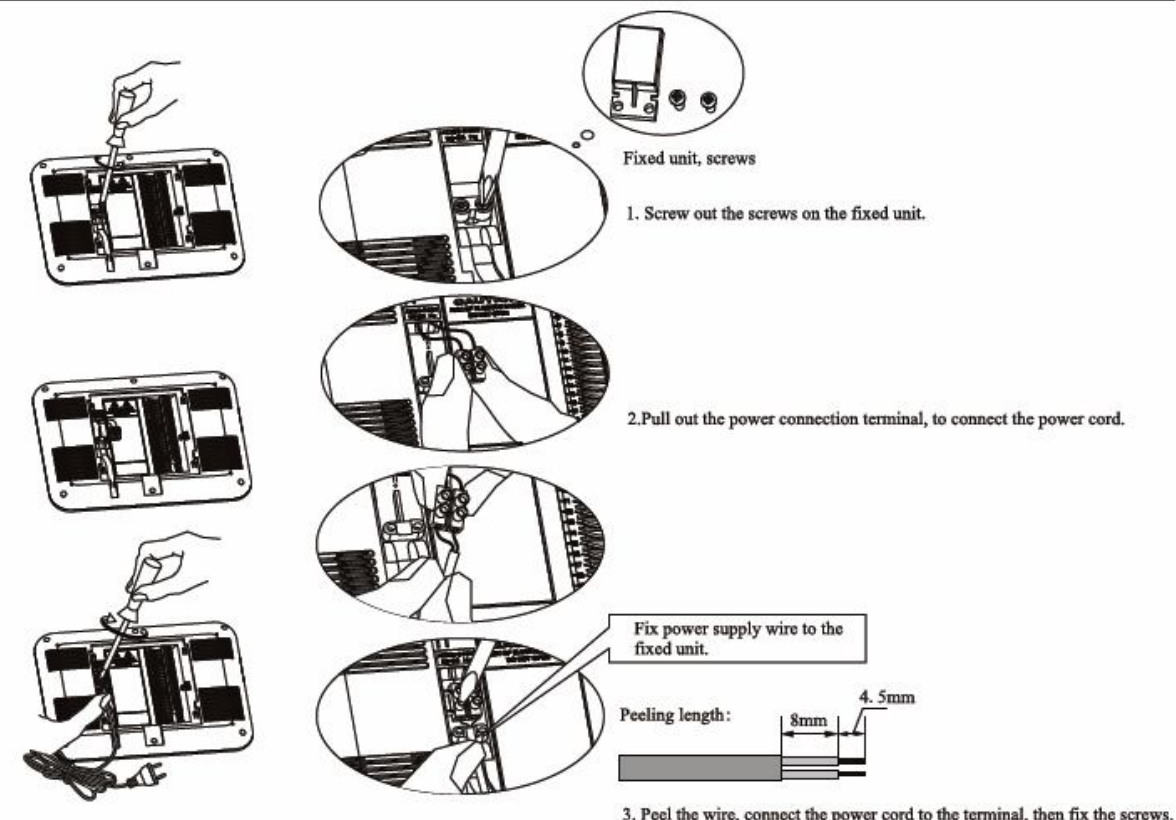


Remark
please install the unit near the power socket. (The direct distance between bracket and socket should be $\leq 1.5\text{m}$.)



Remark
Please cut off the power during disassembly.

Installation (with AC power cord)



Installation Attention

- 1. Do not expose the unit to sunshine or rain.**
Even if you do not use it, don't expose it to sunshine or rain.
- 2. Do not expose to intense light.**
Spotlight may cause stain or striation in the screen.
- 3. Do not disassemble the unit by yourself.**
Improper disassembly may damage the unit or cause electric shock.
- 4. Do not splash water on the unit.**
Install the unit in dry place. In case that the unit gets wet, turn off the unit and contact with your dealer.
- 5. Check the ambient temperature and humidity.**
Avoid using the unit where the temperature is hotter or colder than specified, otherwise the internal parts may get affect ed. Special care is required to use the unit at high temperature and humidity.
- 6. In case of trouble.**
If any trouble occurs while you are using the unit, turn off the power and contact your dealer to avoid worse problem or unpredictable accident.
- 7. About operation.**
Keep the unit away from magnetic equipments such as microwave oven or big speaker. If the unit will not be used for a long time, please switch it off.
- 8. About clean.**
Use soft cloth to clean the unit. Do not use any impregnant, such as alcohol, benzene. If you have any problem, please contact your dealer.

Remark
When you choose the place to install the unit, please pay attention to:
 - Keep sufficient space for ventilation and easy communication.
 - Keep sufficient space to adjust while installing.
 - Not put hot resource under the unit.
 - The socket outlet shall be installed near the equipment and shall be easily accessible.